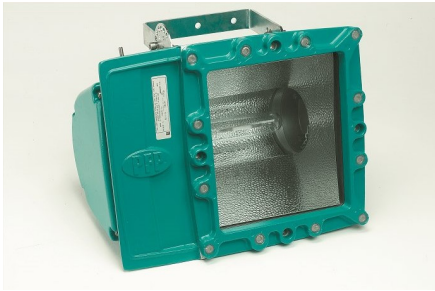


8 SERIES

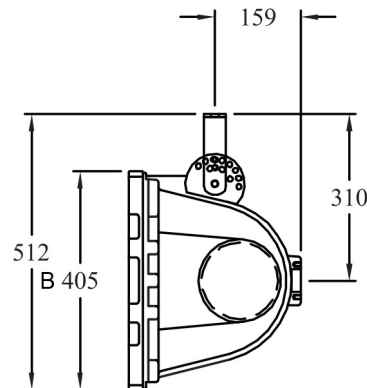
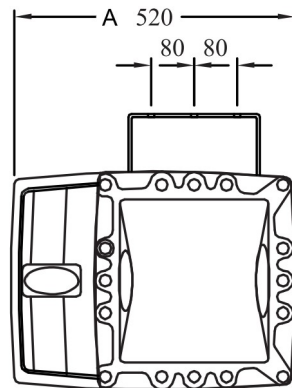


IP 66



TECHNICAL SPECIFICATIONS

Certificate:	SIRA 01 ATEX 1035 IEC Ex SIR 09.0030
Marking of explosion protection:	Ex de II 2 GD IIB T2/T3
Temperature:	$-20^{\circ}\text{C} \leq T_a \leq +55^{\circ}\text{C}$
Voltage:	230 V
Frequency:	50 Hz
Terminals:	2, wire and ground. Diameter max. cable 6mm ²
Cable entries:	2xM20 (1 with plug)
Material:	Body: Aluminum corrosion resistant Diffuser: Hardened borosilicate glass Reflector: Symmetric



Ref	Description	Power	Mesures (AxB mm)	Weight (Kg)
8/150WSON-T/240/50	Sodium steam 150W	150W	520x405	33
8/250WSON-T/240/50	Sodium steam 250W	250W		
8/400WSON-T/240/50	Sodium steam 400W	400W		
8/250WMBI-T/240/50	Metal halides 250W	250W		
8/400WMBI-T/240/50	Metal halides 400W	400W		29
8/500W/TH/240/50	Tungsten 500W	500W		33
8/250W/HPMV/240/50	Mercury steam 250W	250W		
8/400WHPMV/240/50	Mercury steam 400W	400W		