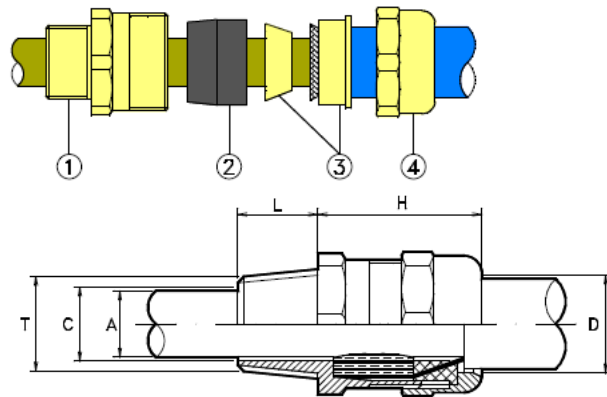


**DAS
SERIES**

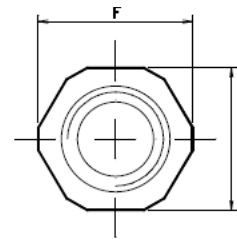
II 2 GD EEx e/d IIC IP66

APPLICATION

- **Armoured cable**
- Inner seal under armour and armour grounding
- For indoor without armour protection



- 1- BODY
- 2- SEAL
- 3- ARMOUR CLAMPING RINGS
- 4- GLAND NUT



Designation example : **DAS1.10 M20x1.5**

THREAD		CABLE DIMENSIONS (mm)			GLAND DIMENSIONS (mm)				
Size	T	REF.	A		C	D	H	E	F
			MIN	MAX					
0	3/8"NPT-M16x1.5-Pg9/11	DAS0.7	4	7	11	16	33	24	26
	1/2"NPT-M20x1.5-Pg13.5	DAS0.10	7	10					
1	1/2"NPT-M20x1.5-Pg13.5 3/4"NPT-M25x1.5pg16	DAS1.8	5.5	8	14	20	41	32	35
		DAS1.10	8	10.5					
		DAS1.13	10.5	13					
2	3/4"NPT-M25x1.5-Pg16	DAS2.13	10.5	13	19	25	41	36	39
		DAS2.15	13	15.5					
		DAS2.18	15.5	18					
3	1"NPT-M32x1.5-Pg21	DAS3.18	15	18	25	32	52	45	49
		DAS3.21	18	21					
		DAS3.24	21	24					
4	1 1/4"NPT-M40x1.5-Pg29	DAS4.24	21	24	31	38	53	50	55
		DAS4.27	24	27					
		DAS4.30	27	30					
5	1 1/2"M50x1.5-Pg36	DAS5.27	24	27	37	44	53	57	62
		DAS5.30	27	30					
		DAS5.33	30	33					
		DAS5.36	33	36					
6	2"NPT-M63x1.5-Pg42	DAS6.39	36	39	47	54	53	67	73
		DAS6.42	39	42					
		DAS6.45	42	45					
7	2 1/2"NPT-M75x1.5-Pg48	DAS7.48	45	48	57	65	53	80	88
		DAS7.51	48	51					
		DAS7.54	51	54					