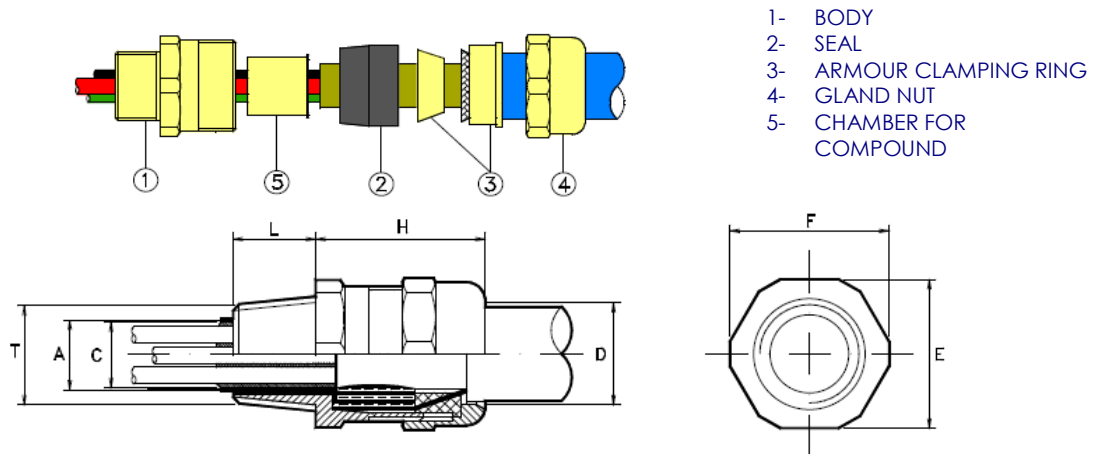


**DASR  
SERIES**

**Ex II 2 GD EEx e/d IIC IP66**

**APPLICATION**

- **Unarmoured cable, inner seal under armour and armour grounding**
- Suitable for enclosures over 2 litres with sparking equipment (EN 60079-14 for 10.3.2).
- For indoor without armour protection



Designation example : **DASR1.10 M20x1.5**

Size	THREAD	REF.	CABLE DIMENSIONS (mm)		GLAND DIMENSIONS (mm)				
	T		MIN	MAX	A	C	D	H	E
1	1/2"NPT-M20x1.5-	DASR1.8	5.5	8	12	20	41	32	35
	Pg13.5	DASR1.10	8	10.5					
	3/4"NPT-	DASR1.13	10.5	13					
2	M25x1.5pg16	DASR2.13	10.5	13	17	25	41	36	39
	3/4"NPT-M25x1.5-	DASR2.15	13	15.5					
	Pg16	DASR2.18	15.5	18					
3	1"NPT-M32x1.5-	DASR3.18	15	18	25	32	52	45	49
	Pg21	DASR3.21	18	21					
		DASR3.24	21	24					
4	1 1/4NPT-	DASR4.24	21	24	29	38	53	50	55
	M40x1.5-Pg29	DASR4.27	24	27					
		DASR4.30	27	30					
5	1 1/2-M50x1.5-	DASR5.27	24	27	35	44	53	57	62
	Pg36	DASR5.30	27	30					
		DASR5.33	30	33					
		DASR5.36	33	36					
6	2"NPT-M63x1.5-	DASR6.39	36	39	45	54	53	67	73
	Pg42	DASR6.42	39	42					
		DASR6.45	42	45					
7	2 1/2NPT-	DASR7.48	45	48	55	65	53	80	88
	M75x1.5-Pg48	DASR7.51	48	51					
		DASR7.54	51	54					