

LEADLAMP  
LL

## LEADLAMP ATEX II 2 G



- High output halogen light up to 70w
- Light weight for single handed portability
- Integral operation switch
- 12, 24 and 42V models
- Oil resistant rubber guard
- Ideal for cleaning and painting operations

**LL-12**

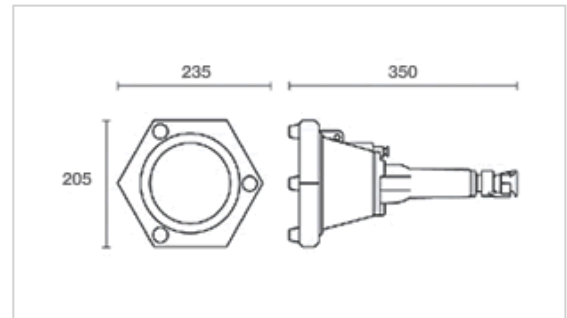
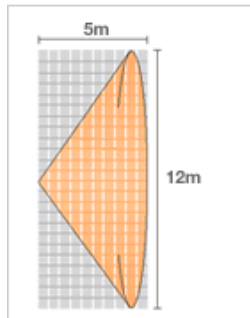
55W flood beam approx 100°  
Peak luminous intensity 180 lux at 5m

**LL-24**

70W flood beam approx 100°  
Peak luminous intensity 180 lux at 5m

**LL-42**

65W flood beam approx 100°  
Peak luminous intensity 180 lux at 5m



Reference	LL-12	LL-24	LL-42
Description	High intensity halogen portable light		
Code	ATEX II 2G Ex de IIC T3/T4 IP54		
Zones	1-2		
Certificate	BVS 03 ATEX E 229		
Material	Light alloy, high impact plastic, oil resistant rubber, toughened glass lens		
Beam type	Flood 100°		
Light source	Halogen lamp 12V 55w (ref. LL-230)	Halogen lamp 24V 70w (ref. LL-232)	Halogen lamp 42V 65w (ref. LL-234)
Light source life	Up to 1000 h		
Voltage	12Vac/dc	24Vac/dc	42Vac/dc
Weight	2.5 kg (without cable)		