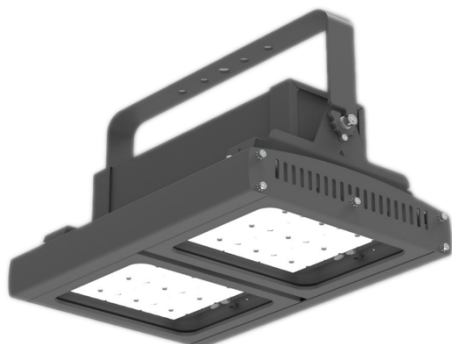


BERGER-N LED



IP 66



IRC 80

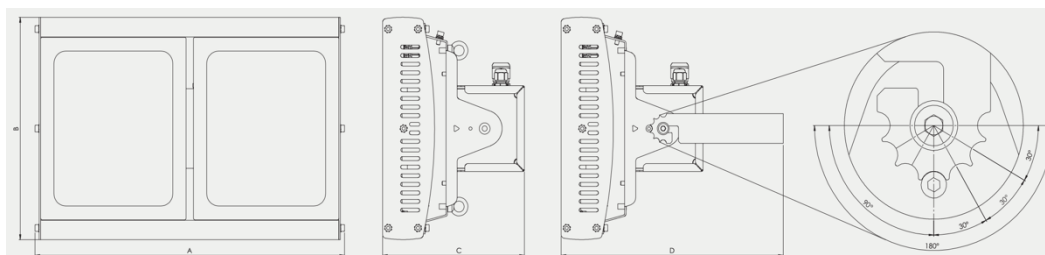
50.000 horas

100.000 horas

150.000 horas

ESPECIFICACIONES TÉCNICAS

Certificado:	FTZÚ 22 ATEX 0108X FTZÚ 22 ATEX 0107X
Marcado:	BERGER-N-LED zona 2/21 (FTZÚ 22 ATEX 0107X) II 3G Ex nR IIC T6...T5 Gc II 2D Ex tb op is IIIC T85°C Db BERGER-N-LED zona 2/22 (FTZÚ 22 ATEX 0108X) II 3G Ex nR IIC T6...T5 Gc II 3D Ex tc IIIC T85°C Dc
Voltaje:	220-240 V
Frecuencia:	50-60 Hz
Material:	Cuerpo: aluminio RAL 7043 Difusor: cristal de seguridad
Equipamiento estándar:	4x soportes para suspensión de acero inoxidable M5, 2m cable (3x1,5mm ²)
Vida útil:	L90B50 Ta25 – 50000h L80B50 Ta25 – 150000h L70B50 Ta60 – 100000h
Montaje:	En suspensión
Bajo demanda:	DIM – DALI 2700K / 3000K / 4000K / 5000K / 5700K / 6500K



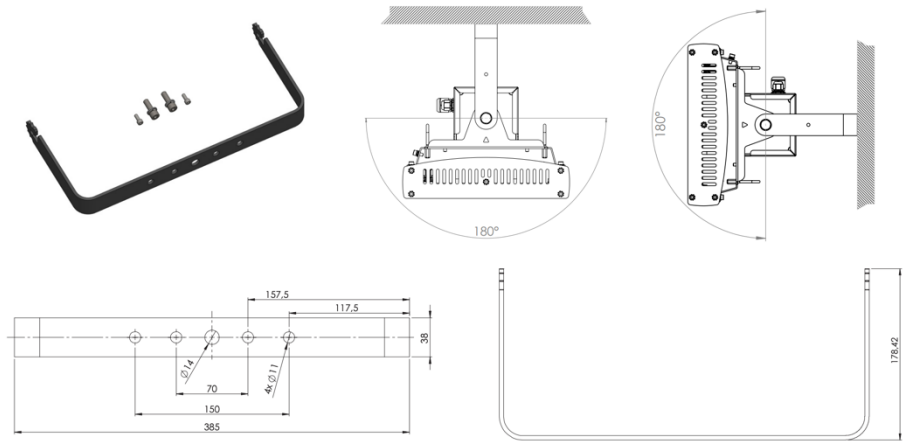
Ref	Descripción	LM	W	TC	Ta (°C)	Dimensiones (AxBxC mm)	T	Peso (Kg)
1 módulo LED								
080848	BERGER-N-LED-2,21-T50-30-12200-4K-1M, IP66	10031	69		-20°C/+50°C		T6	
080800	BERGER-N-LED-2,21-T50-60-12200-4K-1M, IP66	10767						
080801	BERGER-N-LED-2,21-T50-90-12200-4K-1M, IP66	10922						
080849	BERGER-N-LED-2,21-T50-AS-12200-4K-1M, IP66	9700						
080802	BERGER-N-LED-2,21-T50-WO-12200-4K-1M, IP66	10566						
080856	BERGER-N-LED-2,21-T60-30-9900-4K-1M, IP66	8220	54	4000K	-20°C/+60°C	415x285x190	T5	8,5
080812	BERGER-N-LED-2,21-T60-60-9900-4K-1M, IP66	8799						
080813	BERGER-N-LED-2,21-T60-90-9900-4K-1M, IP66	8933						
080857	BERGER-N-LED-2,21-T60-AS-9900-4K-1M, IP66	7948						
080814	BERGER-N-LED-2,21-T60-WO-9900-4K-1M, IP66	8622						
080872	BERGER-N-LED-2,21-FROST-30-9900-4K-1M, IP66	8220						
080836	BERGER-N-LED-2,21-FROST-60-9900-4K-1M, IP66	8799						
080837	BERGER-N-LED-2,21-FROST-90-9900-4K-1M, IP66	8933						
080873	BERGER-N-LED-2,21-FROST-AS-9900-4K-1M, IP66	7948			-40°C/+50°C		T6	
080838	BERGER-N-LED-2,21-FROST-WO-9900-4K-1M, IP66	8622						

Ref	Descripción	LM	W	TC	Ta (°C)	Dimensiones (AxBxC mm)	T	Peso (Kg)	
2 módulos LED									
080850	BERGER-N-LED-2,21-T50-30-24400-4K-2M, IP66	20061	136		-20°C/+50°C		T6		
080803	BERGER.-N-LED-2,21-T50-60-24400-4K-2M, IP66	21534							
080804	BERGER-N-LED-2,21-T50-90-24400-4K-2M, IP66	21844							
080851	BERGER-N-LED-2,21-T50-AS-24400-4K-2M, IP66	19399							
080805	BERGER-N-LED-2,21-T50-WO-24400-4K-2M, IP66	21132							
080858	BERGER-N-LED-2,21-T60-30-19800-4K-2M, IP66	16439	107	4000K	-20°C/+60°C	415x285x190	T5	11	
080815	BERGER-N-LED-2,21-T60-60-19800-4K-2M, IP66	17597							
080816	BERGER-N-LED-2,21-T60-90-19800-4K-2M, IP66	17866							
080859	BERGER-N-LED-2,21-T60-AS-19800-4K-2M, IP66	15895							
080817	BERGER-N-LED-2,21-T60-WO-19800-4K-2M, IP66	17243							
080874	BERGER-N-LED-2,21-FROST-30-19800-4K-2M, IP66	16439			-40°C/+50°C			T6	
080839	BERGER-N-LED-2,21-FROST-60-19800-4K-2M, IP66	17597							
080840	BERGER-N-LED-2,21-FROST-90-19800-4K-2M, IP66	17866							
080875	BERGER-N-LED-2,21-FROST-AS-19800-4K-2M, IP66	15895							
080841	BERGER-N-LED-2,21-FROST-WO-19800-4K-2M-IP66	17243							

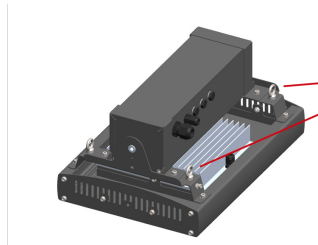
Ref	Descripción	LM	W	TC	Ta (°C)	Dimensiones (AxBxC mm)	T	Peso (Kg)	
3 módulos LED									
080852	BERGER-N-LED-2,21-T50-30-36600-4K-3M, IP66	29812	204		-20°C/+50°C		T6		
080806	BERGER-N-LED-2,21-T50-60-36600-4K-3M, IP66	32252							
080807	BERGER-N-LED-2,21-T50-90-36600-4K-3M, IP66	32726							
080853	BERGER-N-LED-2,21-T50-AS-36600-4K-3M, IP66	29159							
080808	BERGER-N-LED-2,21-T50-WO-36600-4K-3M, IP66	31659							
080860	BERGER-N-LED-2,21-T60-30-26200-4K-3M, IP66	21603	144	4000K	-20°C/+60°C	620x285x190	T5	14	
080818	BERGER-N-LED-2,21-T60-60-26200-4K-3M, IP66	23408							
080819	BERGER-N-LED-2,21-T60-90-26200-4K-3M, IP66	23622							
080861	BERGER-N-LED-2,21-T60-AS-26200-4K-3M, IP66	21060							
080820	BERGER-N-LED-2,21-T60-WO-26200-4K-3M, IP66	22899							
080876	BERGER-N-LED-2,21-FROST-30-26200-4K-3M, IP66	21603			-40°C/+50°C			T6	
080842	BERGER-N-LED-2,21-FROST-60-26200-4K-3M, IP66	23408							
080843	BERGER-N-LED-2,21-FROST-90-26200-4K-3M, IP66	23622							
080877	BERGER-N-LED-2,21-FROST-AS-26200-4K-3M, IP66	21060							
080844	BERGER-N-LED-2,21-FROST-WO-26200-4K-3M, IP66	22899							

Ref	Descripción	LM	W	TC	Ta (°C)	Dimensiones (AxBxC mm)	T	Peso (Kg)	
4 módulos LED									
080854	BERGER-N-LED-2,21-T40-30-48800-4K-4M, IP66	39749	287		-20°C/+40°C		T6		
080809	BERGER-N-LED-2,21-T40-60-48800-4K-4M, IP66	43002							
080810	BERGER-N-LED-2,21-T40-90-48800-4K-4M, IP66	43634							
080855	BERGER-N-LED-2,21-T40-AS-48800-4K-4M, IP66	38879							
080811	BERGER-N-LED-2,21-T40-WO-48800-4K-4M, IP66	42212							
080862	BERGER-N-LED-2,21-T60-30-30200-4K-4M, IP66	24897	163	4000K	-20°C/+60°C	825x285x190	T5	17	
080821	BERGER-N-LED-2,21-T60-60-30200-4K-4M, IP66	26977							
080822	BERGER-N-LED-2,21-T60-90-30200-4K-4M, IP66	27224							
080863	BERGER-N-LED-2,21-T60-AS-30200-4K-4M, IP66	24271							
080823	BERGER-N-LED-2,21-T60-WO-30200-4K-4M, IP66	26391							
080878	BERGER-N-LED-2,21-FROST-30-30200-4K-4M, IP66	24897			-40°C/+50°C			T6	
080845	BERGER-N-LED-2,21-FROST-60-30200-4K-4M, IP66	26977							
080846	BERGER-N-LED-2,21-FROST-90-30200-4K-4M, IP66	27224							
080879	BERGER-N-LED-2,21-FROST-AS-30200-4K-4M, IP66	24271							
080847	BERGER-N-LED-2,21-FROST-WO-30200-4K-4M, IP66	26391							

Ref	Accesorio
051229	Soporte ajustable

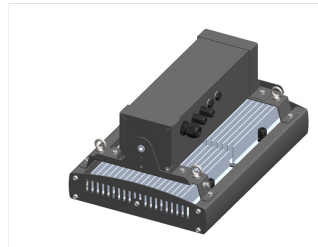


1M

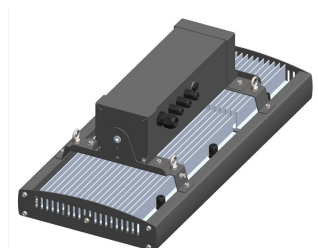
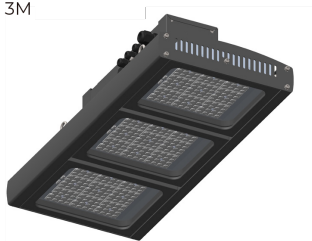


Equipamiento estándar

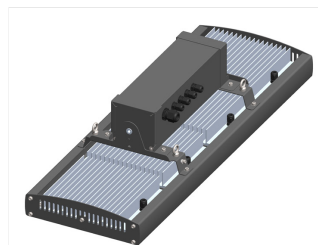
2M



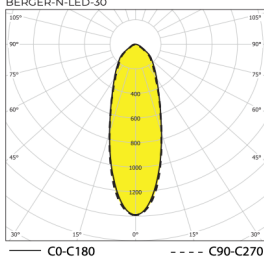
3M



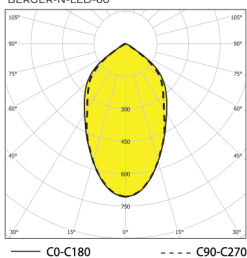
4M



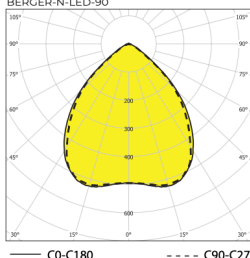
30 – optics with radiant angle 30°
BERGER-N-LED-30



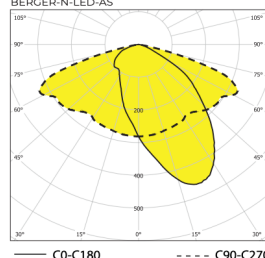
60 – optics with radiant angle 60°
BERGER-N-LED-60



90 – optics with radiant angle 90°
BERGER-N-LED-90



AS – asymmetric optics 90°
BERGER-N-LED-AS



WO – without optics
BERGER-N-LED-WO

